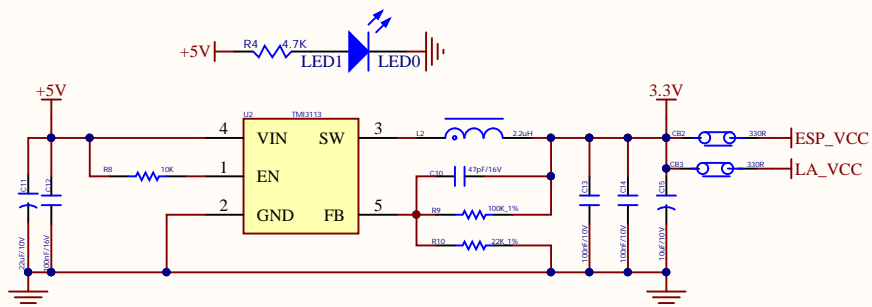
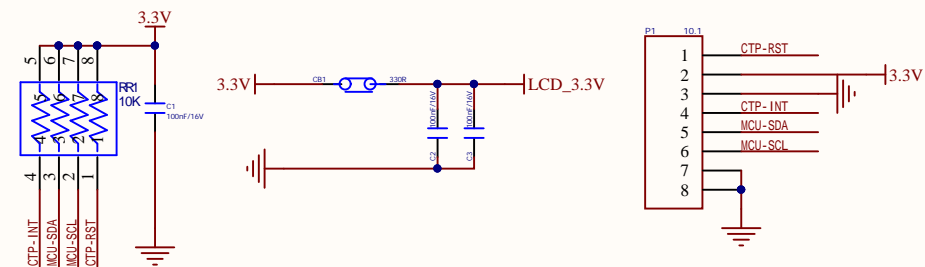
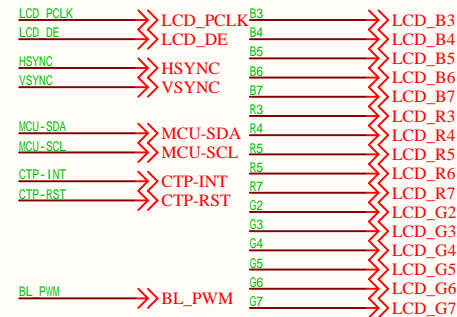
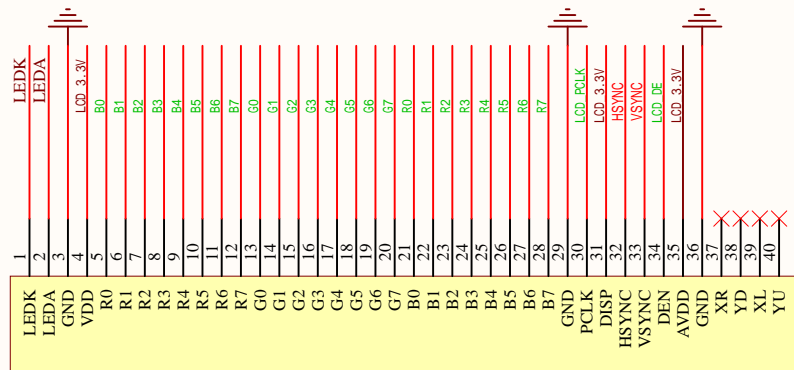
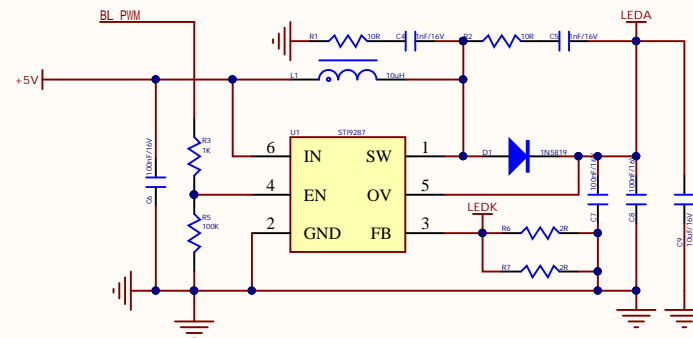


Title		
Size	Number	Revision
A4		
Date:	2024/9/11	Sheet of
File:	C:\Users\...\MCU.SchDoc	Drawn By:



5V转3.3V(ESP32&LA模块供电)



液晶屏背光供电

Title		
Size	Number	Revision
A4		
Date:	2024/9/11	Sheet of
File:	C:\Users\...\LCD&POWER.SchDoc	Drawn By:

1

2

3

4

A

A

U_LCD&POWER
LCD&POWER.SchDoc



U_MCU
MCU.SchDoc



U_UART&RS485
UART&RS485.SchDoc



B

B

C

C

D

D

Title		
Size A4	Number	Revision
Date:	2024/9/11	Sheet of
File:	C:\Users\...\TOP.SchDoc	Drawn By:

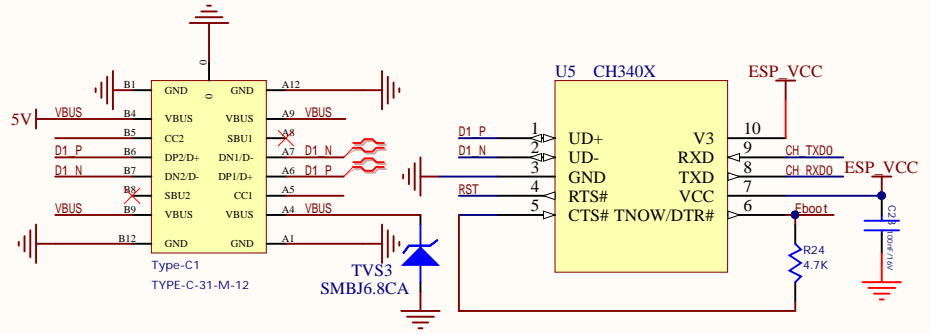
1

2

3

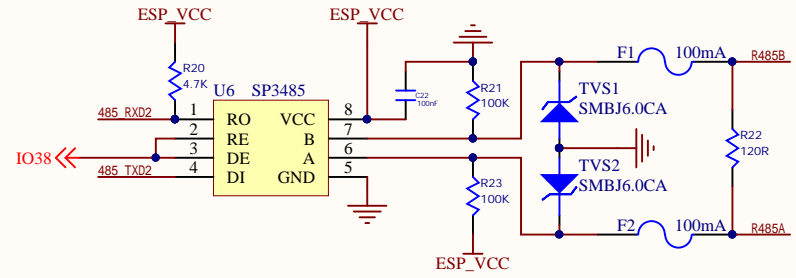
4

下载及串口调试



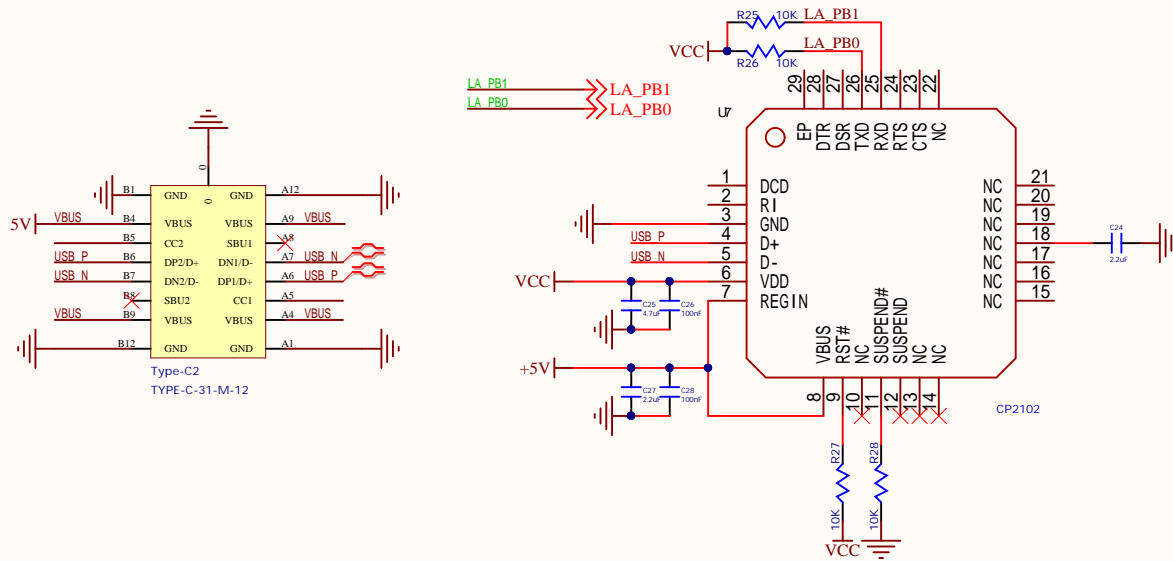
RST >>> RST
Eboot >>> Eboot
CH TXD0 >>> CH_TXD0
CH RXD0 >>> CH_RXD0

RS485



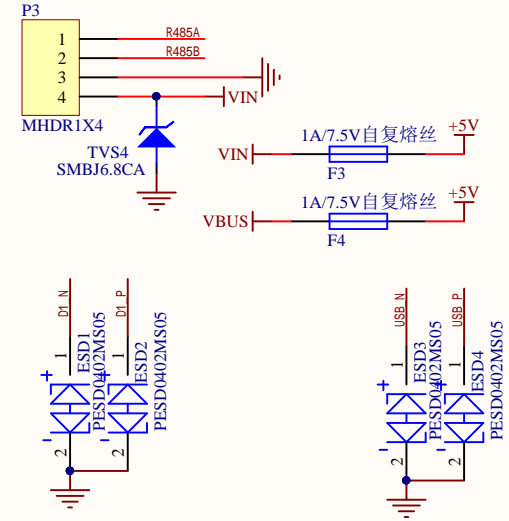
485_TXD2 >>> 485_TXD2
485_RXD2 >>> 485_RXD2

USB to TTL



LA_PB1 >>> LA_PB1
LA_PBO >>> LA_PBO

ESD



Title		
Size	Number	Revision
A4		
Date:	2024/9/11	Sheet of
File:	C:\Users\...\UART&RS485.SchDoc	Drawn By: